

## Handling System Sorting Table, Side Connection, Left to Right, 2200x715mm

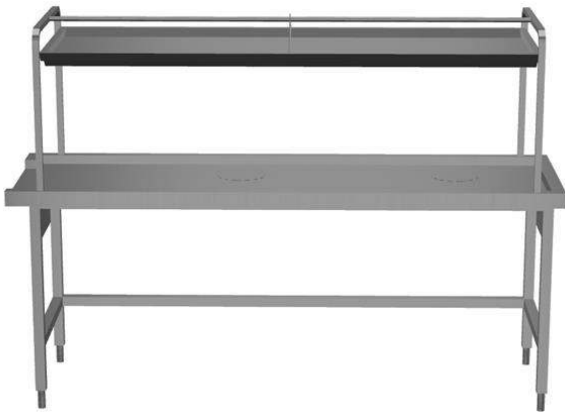
ITEM # \_\_\_\_\_

MODEL # \_\_\_\_\_

NAME # \_\_\_\_\_

SIS # \_\_\_\_\_

AIA # \_\_\_\_\_


**865486 (BHSTS22L)**

Sorting table, side connection, Left&gt;Right, 2200x715 mm

### Short Form Specification

**Item No.** \_\_\_\_\_

Constructed in 304 AISI stainless steel. N. 4 square 40x40mm square legs with height-adjustable feet. Underframe on three sides.

1-tier over-shelf for baskets. N. 2 waste scrape hole with a rubber ring. Attachment to infill tops or roller conveyor with a deep basin on the side.

Basket direction: left to right.

### Main Features

- The sorting table must be installed together with the pre-wash infill top or roller conveyor with a deep basin on the loading side.
- Equipped with over-shelf and scrape hole for scraping food waste, placing and sorting items all in one table for space saving.

### Construction

- All surfaces smooth with polished finish.
- Receiving tabletop with raised side edges all-round, reduces the possibility of crockery being pushed off the table.
- Constructed in AISI 304 stainless steel with square 40x40mm legs.
- Sorting table provided with an over-shelf for dishwashing racks which can be inclined at either the dishwashing or receiving side.
- Connection from side.
- Two waste holes with a rubber scrape ring tabletop.
- Optionally equipped with tray slider, scrape plate and shelf for plates/ baskets.

### Optional Accessories

- Dish scraper PNC 855297
- Tray slide for sorting table, 2200 mm PNC 865381
- Cutlery chute to install on tray slide PNC 865383
- Floor fastening kit for 2 square legs PNC 865386
- Removable bridge table, 800 mm PNC 865418
- Removable bridge table with hole, 800 mm PNC 865419

### Recommended Detergents

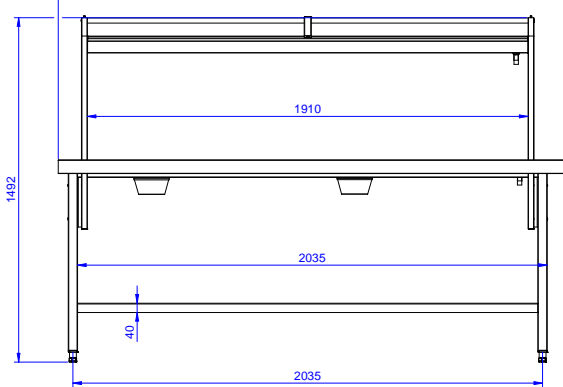
- C11 Detergent for dishwashers; one pack of 2 cans of 5lt. PNC 0S2092
- C13 ECO Detergent for dishwashers; one pack of 2cans of 5lt. PNC 0S2093
- C12 Rinse aid for dishwashers; one pack of 2 cans of 5lt. PNC 0S2094
- C11 Detergent for dishwashers; 1 can of 20lt. PNC 0S2281
- C30 Multipurpose descaler; one pack of 2 cans of 5lt. PNC 0S2362
- C15 ECO Rinse aid for dishwashers; one pack of 2 cans of 5lt. PNC 0S2904

**APPROVAL:** \_\_\_\_\_

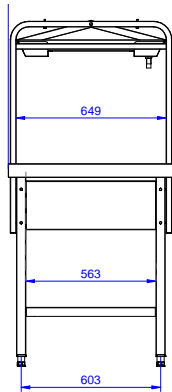
**Key Information:**

External dimensions, Width:	2200 mm
865486 (BHSTS22L)	
External dimensions, Depth:	715 mm
External dimensions, Height:	1551 mm
Net weight:	63 kg

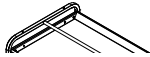
Front



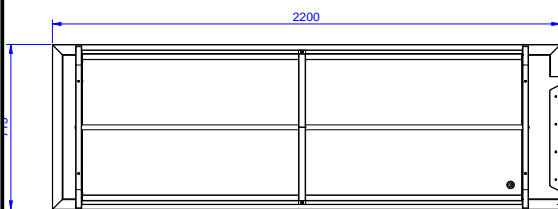
Side



D = Drain



Top



FVT